



Galaxy self-locking roller

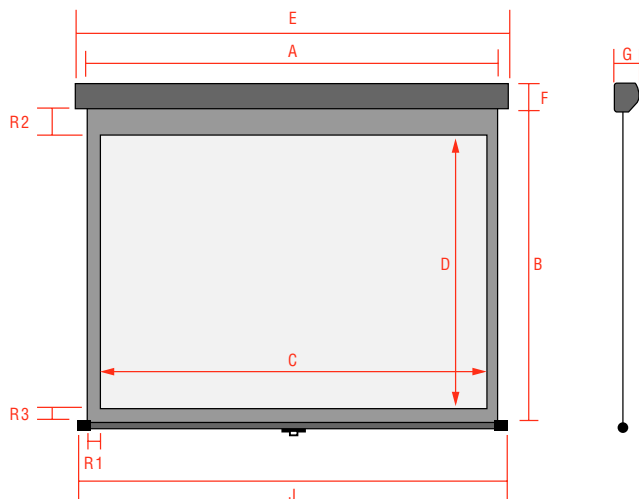
The retractable reflecta projection screen is installed in a profiled sheetmetal case and is operated with the locking mechanism with the soft lift function. When pulled slightly downwards, the projection screen automatically retracts slowly and safely to the tube. A soft brake avoids a fast and uncontrolled retracting. The screen can be stopped at any intermediate height to adjust to the various projection formats. With the light-proof rear coating, it can be used even in front of a window. The black border makes the screen particularly suited for home theatres.

Product details:

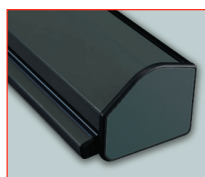
- Mounted to wall or ceiling.
- Simple installation and easy handling due to retracting mechanism with soft lift feature.
- Light-proof black rear side.
- Black masking.
- Very concise tube allows for space-saving installation.
- Large viewing angle.
- Suitable for all common front projection types.
- High-quality DeltaLux fabric with 1.0 gain.

Galaxy self-locking roller – Technical data (all dimensions in cm)

| Ref. no. | Type | Fabric | Format | A | B | C | D | R1 | R2 | R3 | E | F | G | J | Weight |
|----------|----------------|----------|--------|-----|-----|-----|-----|-----|----|-----|-------|------|-----|-----|--------|
| 85911 | Galaxy locking | DeltaLux | 1:1 | 183 | 190 | 178 | 178 | 2,3 | 8 | 3,5 | 190 | 8,7 | 8,1 | 186 | 10 kg |
| 85921 | Galaxy locking | DeltaLux | 1:1 | 213 | 215 | 203 | 203 | 5 | 8 | 4 | 220,4 | 8,7 | 8,1 | 216 | 13 kg |
| 85914 | Galaxy locking | DeltaLux | 4:3 | 179 | 162 | 171 | 128 | 4 | 30 | 3,5 | 186,4 | 8,7 | 8,1 | 182 | 9 kg |
| 85924 | Galaxy locking | DeltaLux | 4:3 | 213 | 186 | 203 | 152 | 5 | 30 | 4 | 220,4 | 8,7 | 8,1 | 216 | 12 kg |
| 85944 | Galaxy locking | DeltaLux | 4:3 | 243 | 210 | 234 | 176 | 4,7 | 30 | 4 | 250,9 | 10,3 | 9,2 | 246 | 18 kg |
| 85915 | Galaxy locking | DeltaLux | 16:9 | 176 | 149 | 170 | 96 | 3 | 50 | 3,5 | 183,8 | 8,7 | 8,1 | 179 | 9 kg |
| 85925 | Galaxy locking | DeltaLux | 16:9 | 213 | 169 | 203 | 115 | 5 | 50 | 4,5 | 220,4 | 8,7 | 8,1 | 216 | 12 kg |
| 85935 | Galaxy locking | DeltaLux | 16:9 | 231 | 179 | 221 | 125 | 5 | 50 | 4 | 238,8 | 8,7 | 8,1 | 234 | 17 kg |
| 85945 | Galaxy locking | DeltaLux | 16:9 | 243 | 186 | 234 | 132 | 4,7 | 50 | 4 | 250,9 | 10,3 | 9,2 | 247 | 18 kg |



Mounting material



Retracted screen



Stable solid metal tube



Soft lift function